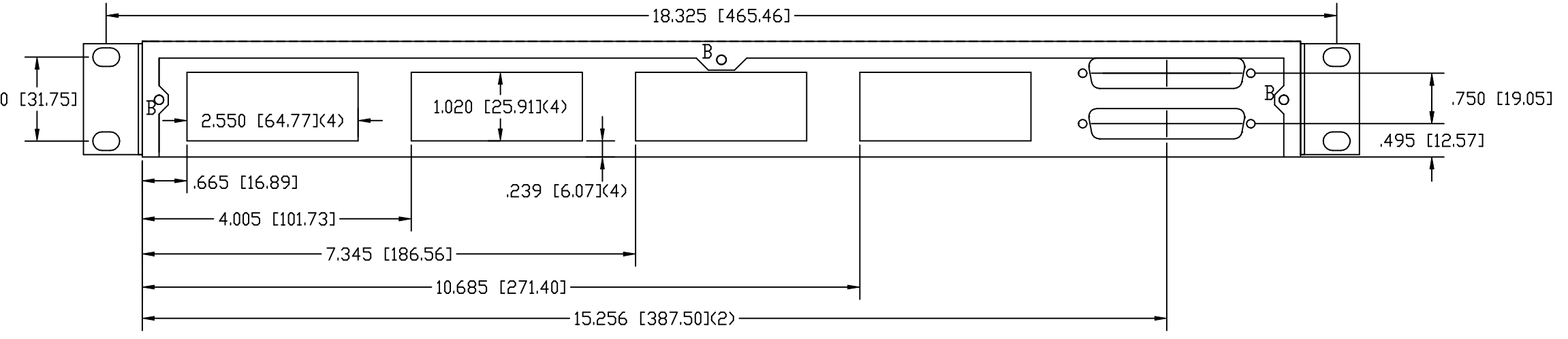
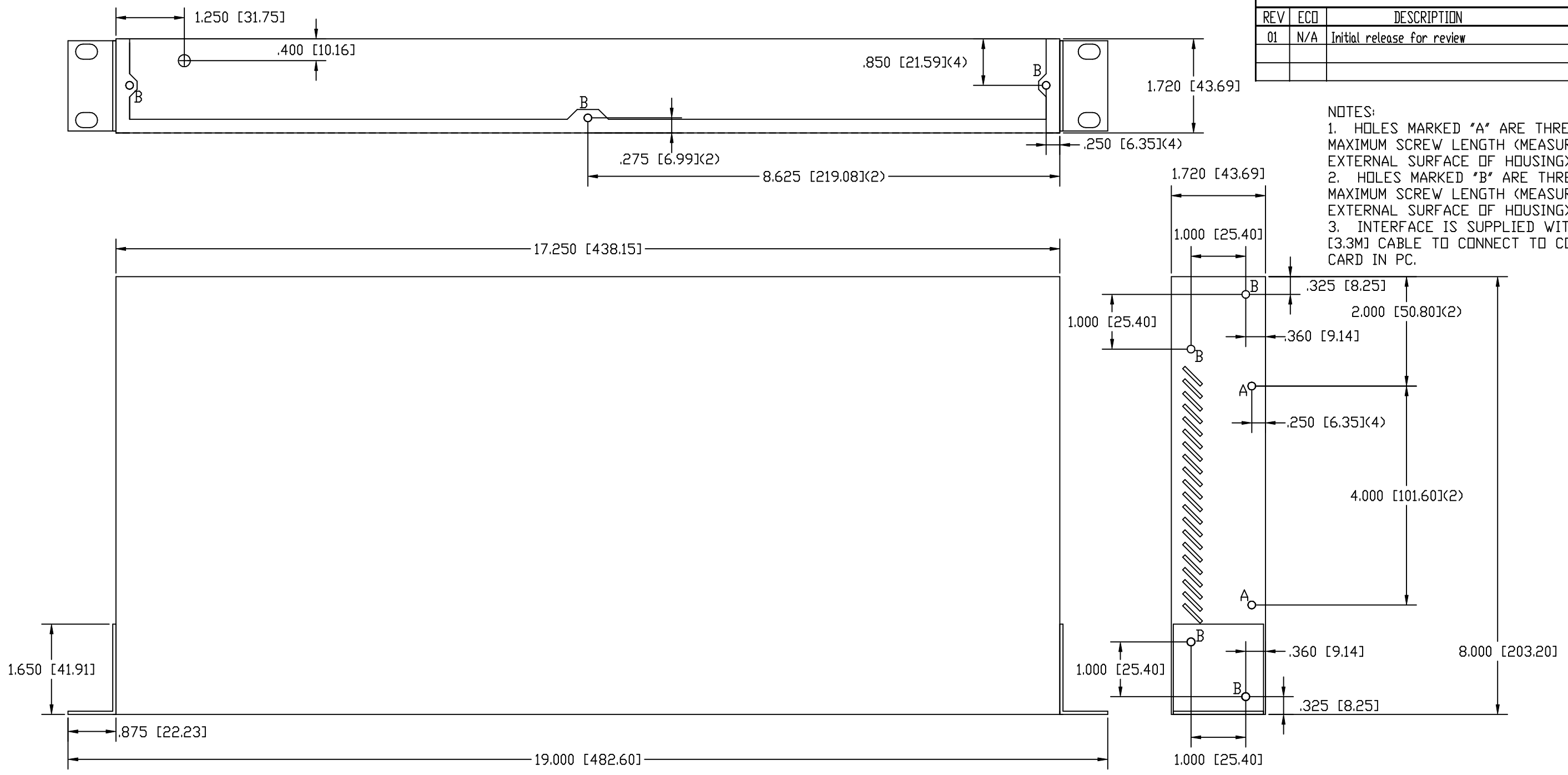


REVISION RECORD					
REV	ECO	DESCRIPTION	DATE	DRFT	APVD
01	N/A	Initial release for review	01/28/08	SJL	

NOTES:
 1. HOLES MARKED "A" ARE THREADED 4-40, MAXIMUM SCREW LENGTH (MEASURED FROM EXTERNAL SURFACE OF HOUSING) 0.30 [7.6]
 2. HOLES MARKED "B" ARE THREADED 6-32, MAXIMUM SCREW LENGTH (MEASURED FROM EXTERNAL SURFACE OF HOUSING) 0.50 [12.7]
 3. INTERFACE IS SUPPLIED WITH A 13FT. [3.3M] CABLE TO CONNECT TO CONTROLLER CARD IN PC.



DIMENSIONS ARE IN INCHES [MM]				
CONTROL CORP.				
TITLE ROCKETPORT RACKMOUNT INTERFACE RS232/422/485, RJ45, 16 PORT 30055-7				
FILENAME RP_INFINITY_IFC_RM16_01.DWG				
SIZE B	BY SJL	DATE 01/28/08	REV 01	SHEET 1 OF 1