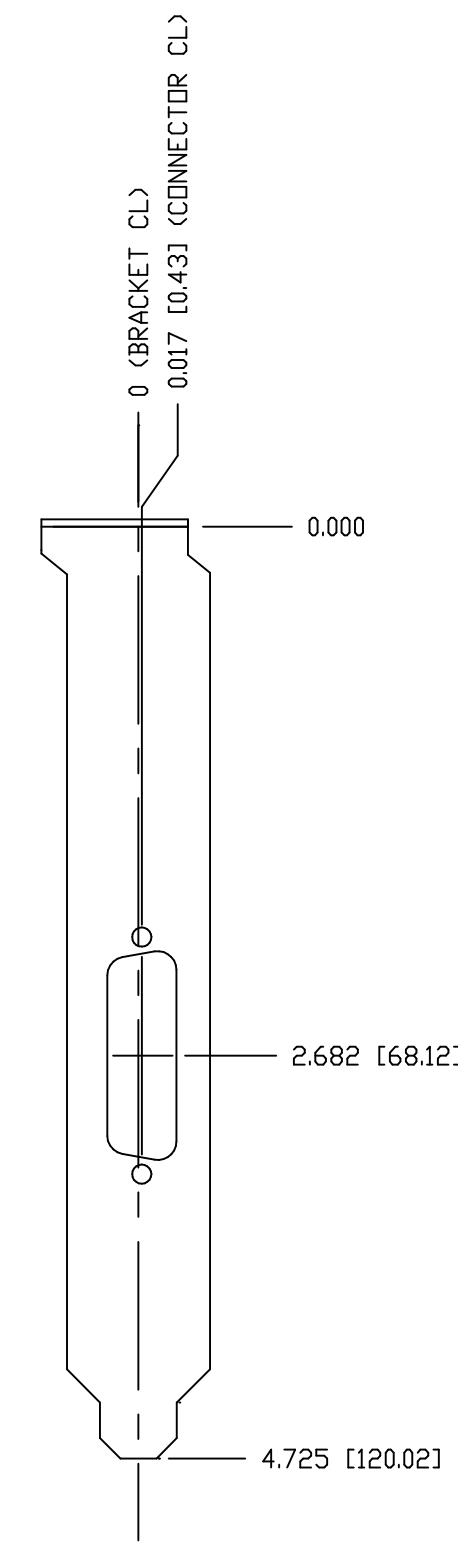
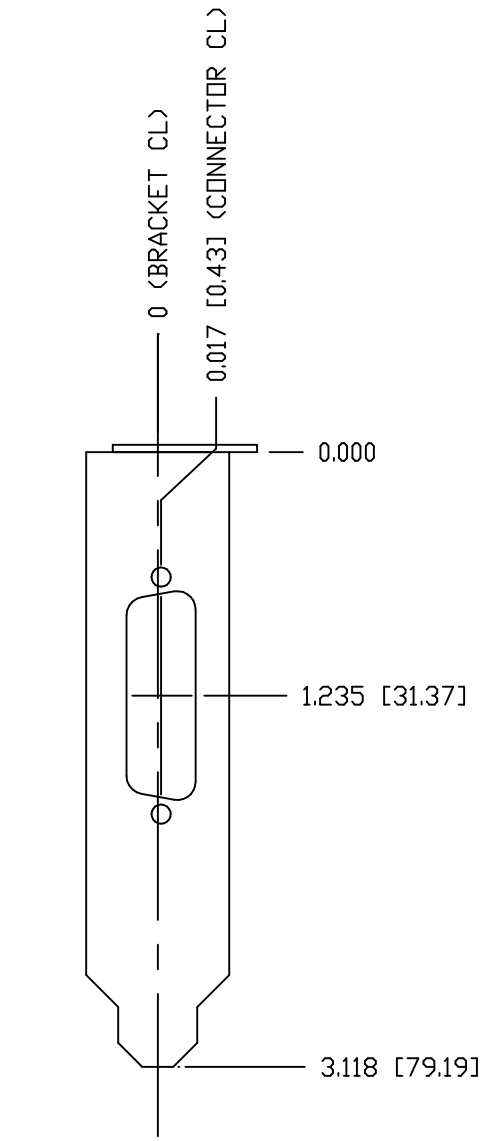


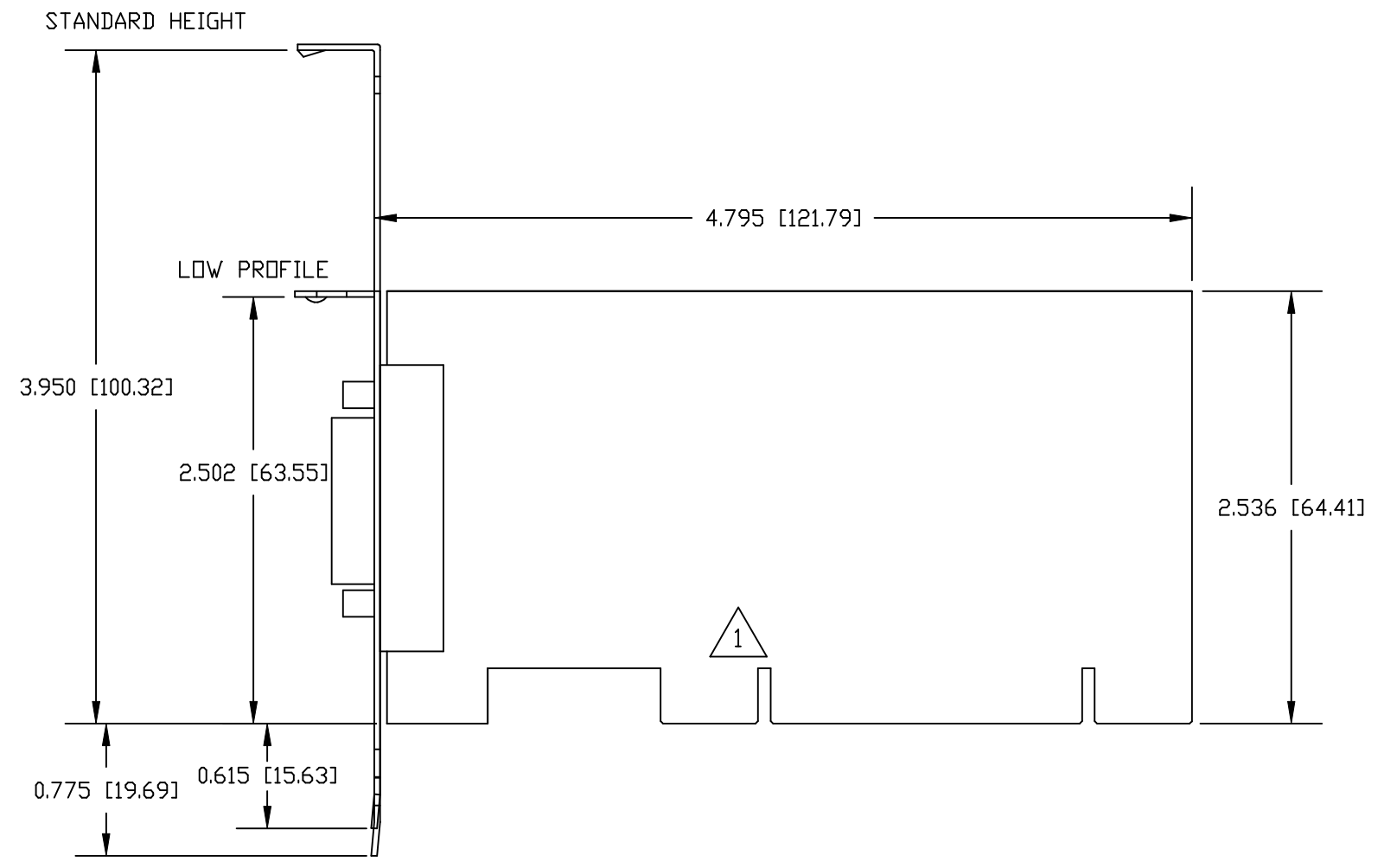
| REVISION RECORD |     |                            |          |      |      |
|-----------------|-----|----------------------------|----------|------|------|
| REV             | ECD | DESCRIPTION                | DATE     | DRFT | APVD |
| 01              | N/A | Initial release for review | 02/26/08 | SJL  |      |
|                 |     |                            |          |      |      |
|                 |     |                            |          |      |      |
|                 |     |                            |          |      |      |



CONNECTOR LOCATION  
STANDARD HEIGHT



CONNECTOR LOCATION  
LOW PROFILE



NOTES:

1. FOR MORE DETAILED DIMENSIONS, REFER TO PCI ELECTROMECHANICAL SPECIFICATION.
2. STANDARD LENGTH FOR CABLE WHICH CONNECTS CARD TO EXTERNAL INTERFACE IS 42" [107CM].

|   |           |                  |           |              |
|---|-----------|------------------|-----------|--------------|
| DIMENSIONS ARE IN INCHES [MM]   |           |                  |           |              |
| CONTROL CORP.   |           |                  |           |              |
| TITLE<br>ROCKETPORT INFINITY, 8-16-32 PORT<br>30010-6, 30015-1, 30020-5 |           |                  |           |              |
| FILENAME<br>RP_INFINITY_8P-16P-32P_01.DWG                               |           |                  |           |              |
| SIZE<br>B   | BY<br>SJL | DATE<br>02/26/08 | REV<br>01 | SHEET 1 OF 1 |