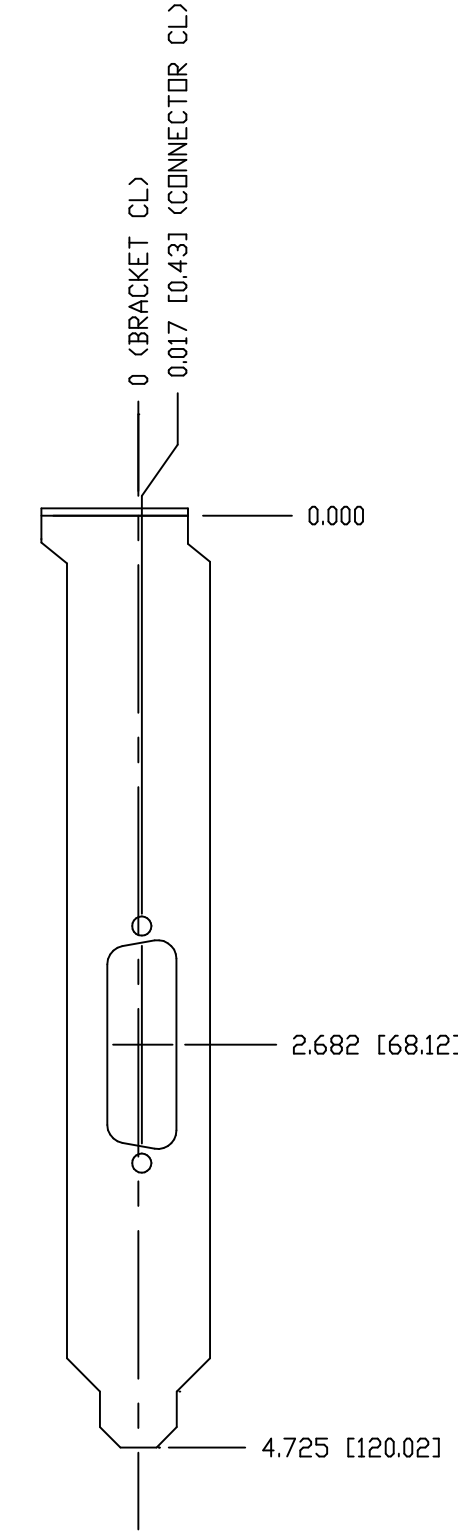
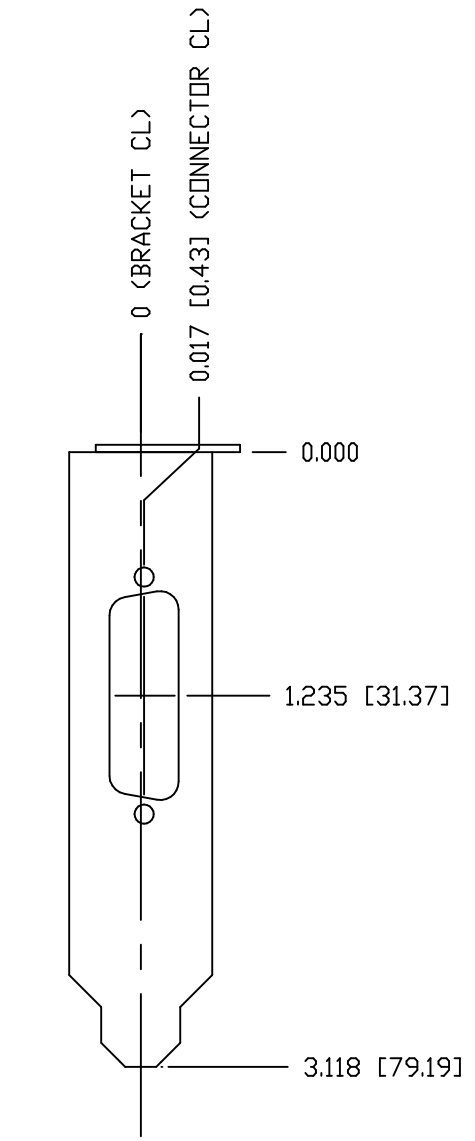


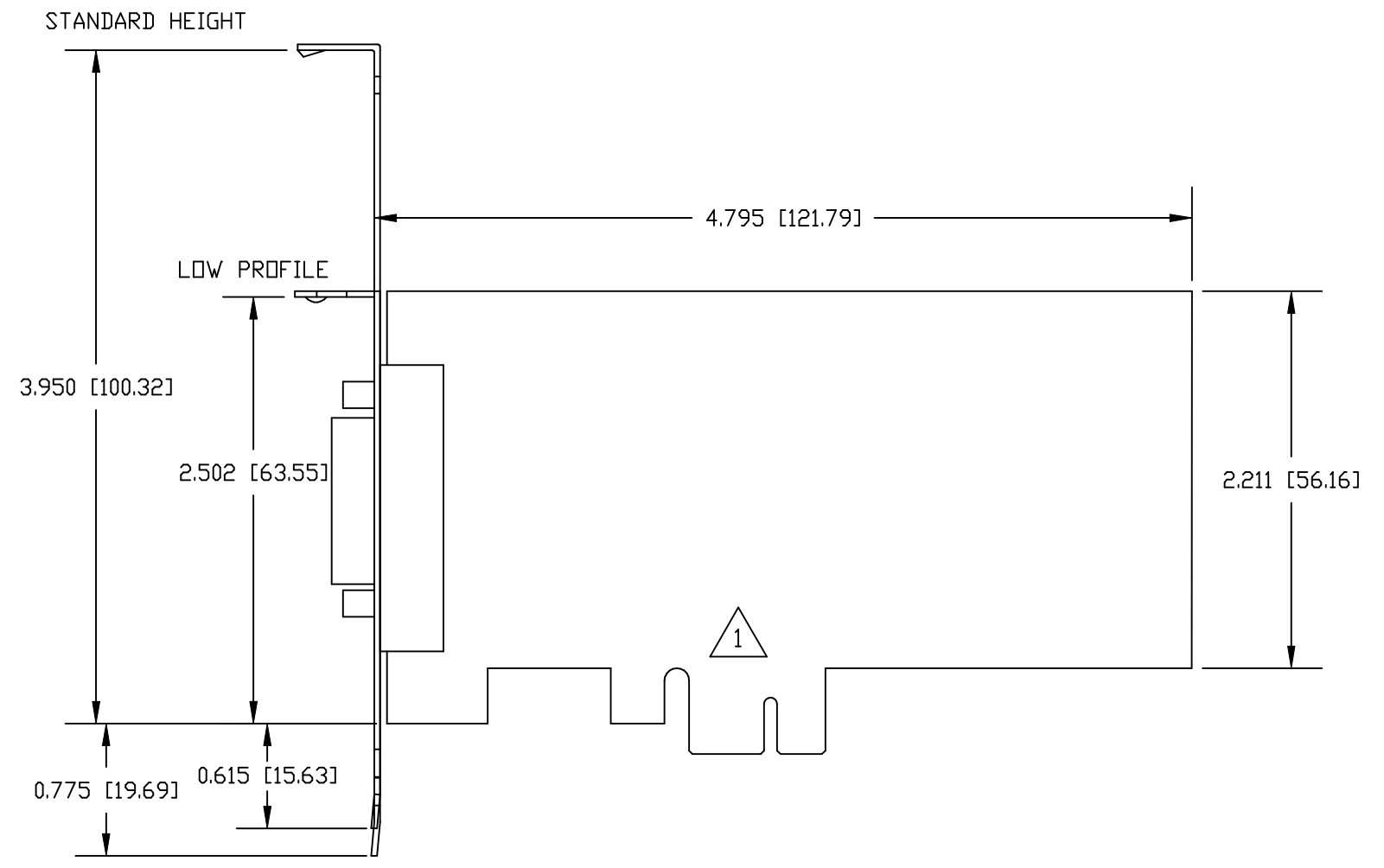
| REVISION RECORD | | | | | |
|-----------------|-----|----------------------------|----------|------|------|
| REV | ECD | DESCRIPTION | DATE | DRFT | APVD |
| 01 | N/A | Initial release for review | 02/26/08 | SJL | |
| | | | | | |
| | | | | | |
| | | | | | |



CONNECTOR LOCATION
STANDARD HEIGHT



CONNECTOR LOCATION
LOW PROFILE



NOTES:

1. FOR MORE DETAILED DIMENSIONS, REFER TO PCI EXPRESS CARD ELECTROMECHANICAL SPECIFICATION, REV 1.0A.
2. STANDARD LENGTH FOR CABLE WHICH CONNECTS CARD TO EXTERNAL INTERFACE IS 42" [107CM].

| | | | | |
|--|-----------|------------------|-----------|--------------|
| DIMENSIONS ARE IN INCHES [MM] | | | | |
| CONTROL CORP. | | | | |
| TITLE ROCKETPORT EXPRESS, 8-16-32 PORT 30136-3, 30137-0, 30138-7 | | | | |
| FILENAME RP_EXPRESS_8P-16P-32P_01.DWG | | | | |
| SIZE B | BY SJL | DATE 02/26/08 | REV 01 | SHEET 1 OF 1 |