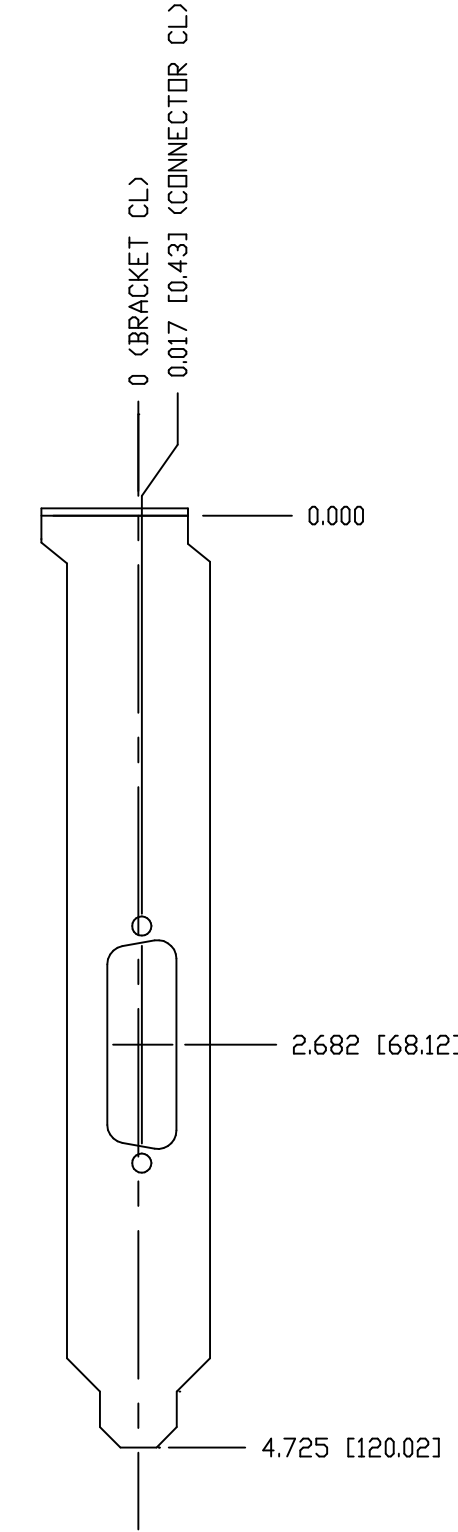
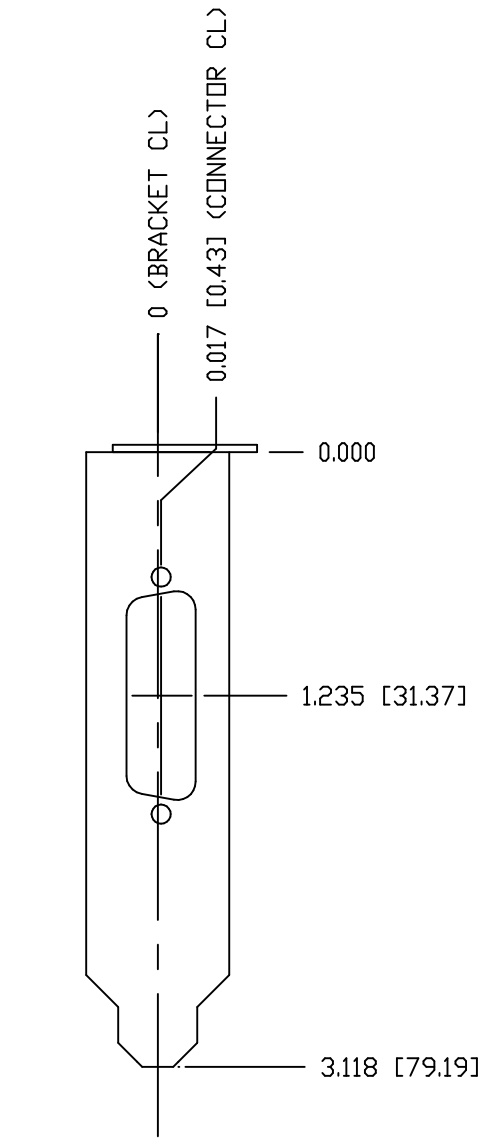


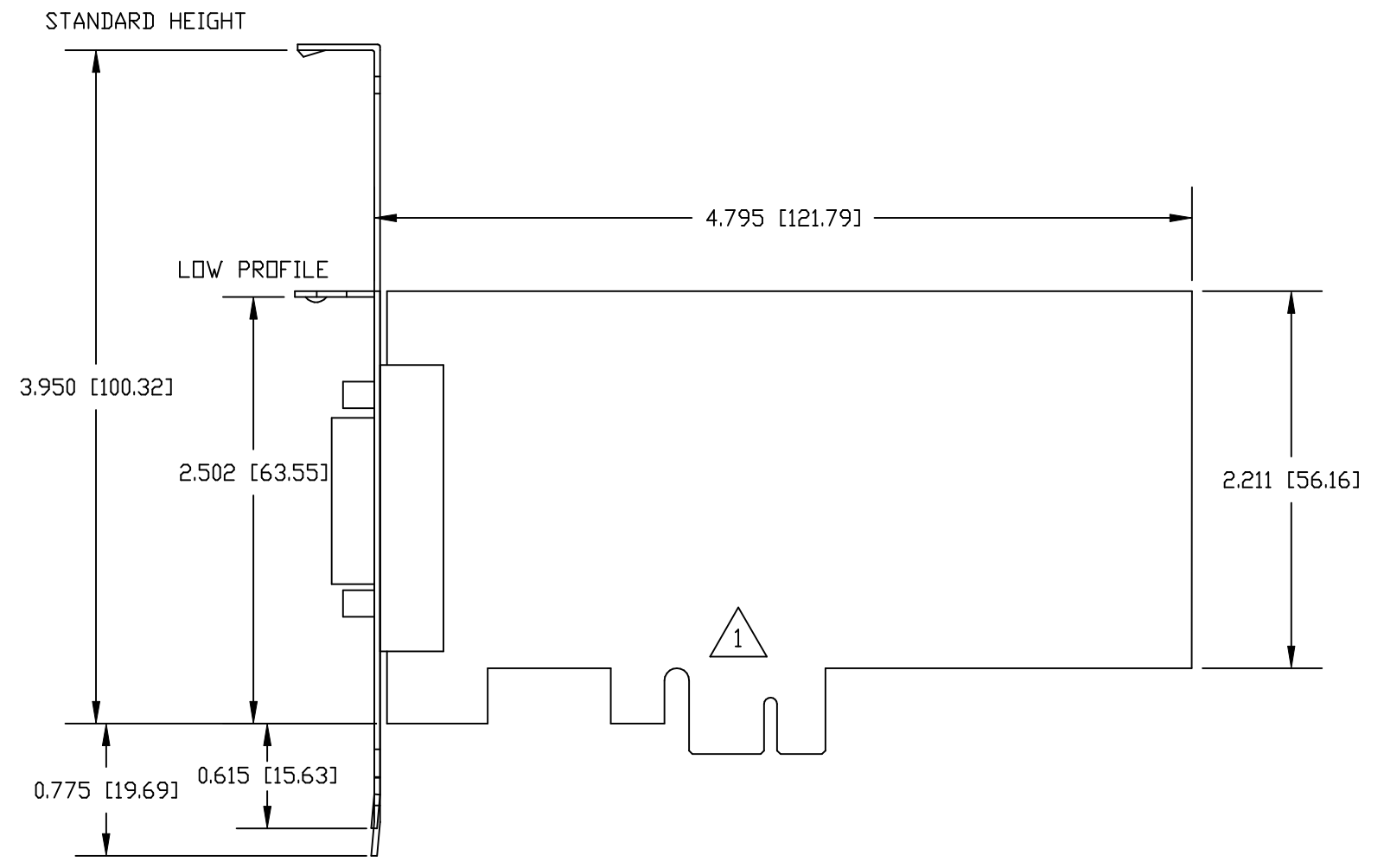
REVISION RECORD					
REV	ECD	DESCRIPTION	DATE	DRFT	APVD
01	N/A	Initial release for review	02/26/08	SJL	



CONNECTOR LOCATION  
STANDARD HEIGHT



CONNECTOR LOCATION  
LOW PROFILE



NOTES:

1. FOR MORE DETAILED DIMENSIONS, REFER TO PCI EXPRESS CARD ELECTROMECHANICAL SPECIFICATION, REV 1.0A.
2. STANDARD LENGTH FOR CABLE WHICH CONNECTS CARD TO EXTERNAL INTERFACE IS 42" [107CM].

DIMENSIONS ARE IN INCHES [MM]				
CONTROL CORP.				
TITLE ROCKETPORT EXPRESS, 8-16-32 PORT 30136-3, 30137-0, 30138-7				
FILENAME RP_EXPRESS_8P-16P-32P_01.DWG				
SIZE B	BY SJL	DATE 02/26/08	REV 01	SHEET 1 OF 1